

# SupIR 45-900mm f/4.0, Motorized Continuous Zoom 680425 / 680426

**NEW**



**HD  
FORMAT**

### WFOV(45mm)

HFOV	320x256	480x384	640x512	1280X1024
30μ	11.4°			
20μ	7.9°	11.4°	14.3°	
15μ	6.0°	8.8°	11.4°	
10μ			7.9°	14.3°

### MFOV(72mm)

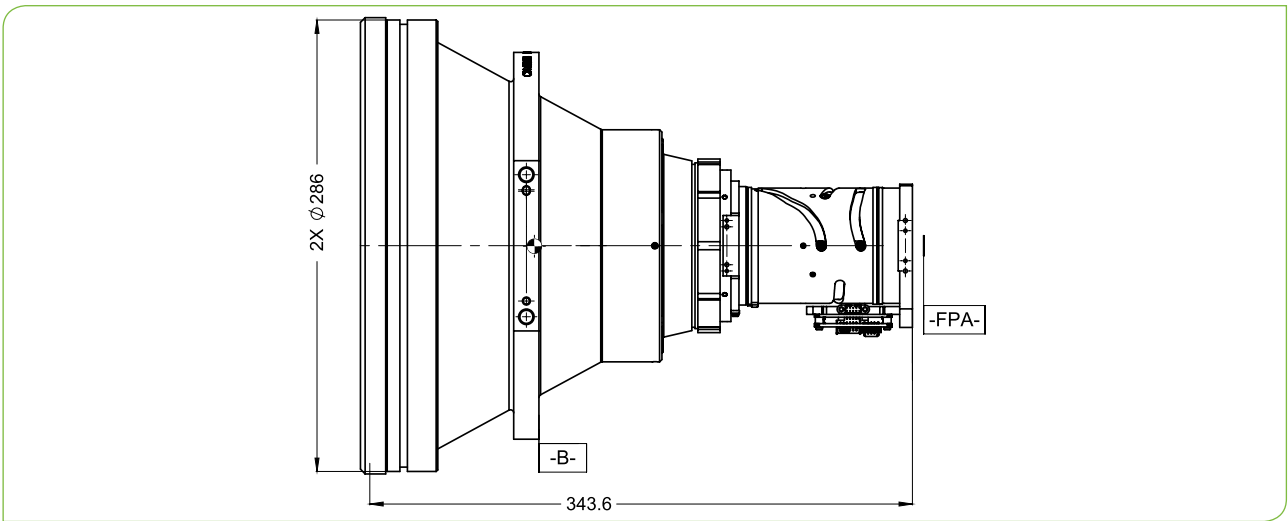
for configuration 680425 003/00

HFOV	320x256	480x384	640x512	1280X1024
15μ	5.0°	7.3°	9.3°	
10μ			5.0°	9.3°

### NFOV(700mm)

HFOV	320x256	480x384	640x512	1280X1024
30μ	0.6°	0.9°		
20μ	0.4°	0.6°	0.8°	
15μ	0.3°	0.5°	0.6°	
10μ			0.4°	0.8°

Property		Value	
<b>Optical</b>		<b>WFOV</b>	<b>NFOV</b>
Focal Length		45mm/72mm*	900mm
F/#		4.0	
Average transmission (3.4-5μm)		70% (LRHC)	
680425	Based on Zoom Lens:	15-300mm f/4 680084	
	Cold stop to FPA Distance	19.4mm	
	Cold Stop CA	Ø4.85mm	
	BFL	25.1mm in air	
680426	Based on Zoom Lens:	15-300mm f/4 680204	
	Cold stop to FPA Distance	20.47mm	
	Cold Stop CA	Ø5.1mm	
	BFL	27.12mm in air	
Distortion (in diagonal)		<7%	<5%
Minimum Focus Range		5m	200m
Nuc (by defocus)		By defocus (blur to 3mm diameter)	
<b>Mechanical</b>			
Focus Mechanism		Motorized	
Focus Time (minimum range to ∞)		≤1 sec.	
Zoom Mechanism		Motorized	
Zoom Time (NFOV to WFOV)		≤7 sec. at -32°C; ≤5 sec. at T ≥ 0°C	
Through-zoom boresight		Within a radius of 0.22 mm at the focal plane along the full zoom range	



MWIR | ZOOM

Property	Value
<b>Mechanical</b>	
Weight	~8kg
Max. Dimensions	Ø286 x 343.6mm
<b>Electrical</b>	
Lens Control	Designated lens controller
Drive Voltage	6-12VDC
Current Consumption	< 0.5A average, 1.0A peak
Communication Protocol	RS422
<b>Environmental</b>	
Operation Temperature	-32°C to +75°C
Storage Temperature	-54°C to +85°C
Sealing	IP 67 front element only
<b>Configurations</b>	
680425-001	45-900mm f/4 CSH=19.4mm 640x512x15µ High Durability
680425-002	45-900mm f/4 CSH=19.4mm 640x512x15µ Low Reflection Hard Carbon
680425-003	72-900mm f/4 CSH=19.4mm 1280x1024x10µ High Durability
680425-004	72-900mm f/4 CSH=19.4mm 1280x1024x10µ Low Reflection Hard Carbon
680426-001	45-900mm f/4 CSH=20.5mm 640x512x15µ High Durability
680426-002	45-900mm f/4 CSH=20.5mm 640x512x15µ Low Reflection Hard Carbon
680426-003	72-900mm f/4 CSH=20.5mm 1280x1024x10µ High Durability
680426-004	72-900mm f/4 CSH=20.5mm 1280x1024x10µ Low Reflection Hard Carbon