

SupIR 45-900mm f/4.0, Motorized Continuous Zoom 680425 / 680426

NEW



**HD
FORMAT**

MWIR | ZOOM

WFOV(45mm)

for configurations 680425-001/2 & 680426-001/2

HFOV	320x256	480x384	640x512
30μ	11.4°		
20μ	7.9°	11.4°	
15μ	6.0°	8.8°	11.4°
10μ	7.9°		

WFOV(72mm)

for configurations 680425-003/4 & 680426-003/4

HFOV	320x256	480x384	640x512	1280X1024
15μ	3.8°	5.6°	7.3°	
10μ	5.0°			9.3°

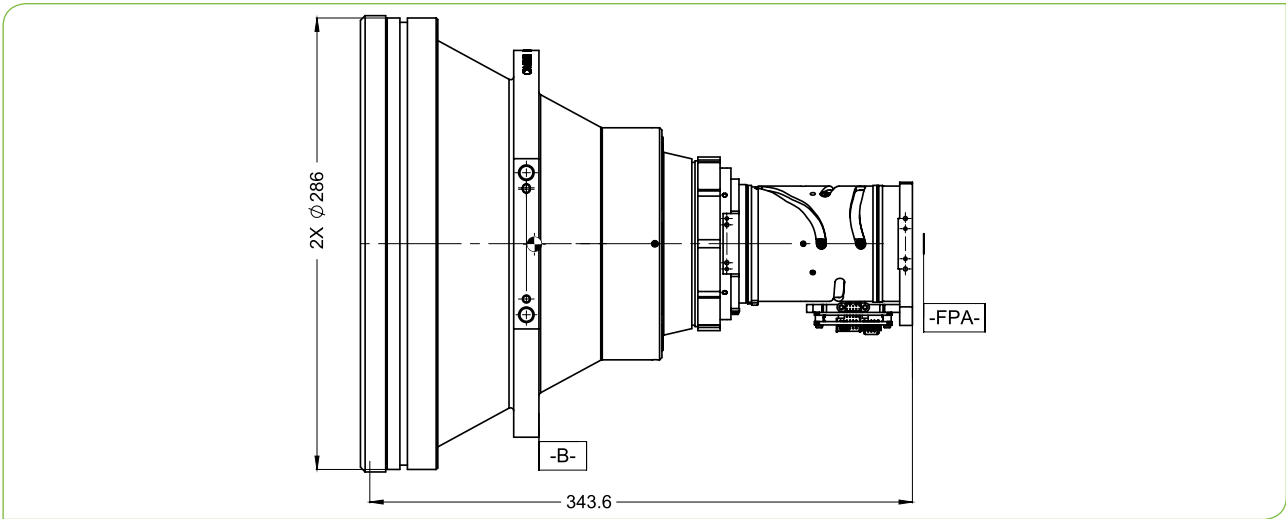
NFOV(900mm)

all configurations

HFOV	320x256	480x384	640x512	1280X1024
30μ	0.6°	0.9°		
20μ	0.4°	0.6°		
15μ	0.3°	0.6°		
10μ	0.4°			0.8°

Property		Value	
Optical		WFOV	NFOV
Focal Length		45mm/72mm*	
F/#		4.0	
Average transmission (3.4-5μm)		70% (LRHC)	
680425	Based on Zoom Lens:	15-300mm f/4 680084	
	Cold stop to FPA Distance	19.4mm	
	Cold Stop CA	Ø4.85mm	
	BFL	25.1mm in air	
680426	Based on Zoom Lens:	15-300mm f/4 680204	
	Cold stop to FPA Distance	20.5mm	
	Cold Stop CA	Ø5.1mm	
	BFL	27.1mm in air	
Distortion (in diagonal)		<7%	<5%
Minimum Focus Range		5m	200m
Nuc (by defocus)		Yes	
Mechanical			
Focus Mechanism		Motorized	
Focus Time (minimum range to ∞)		≤1 sec.	
Zoom Mechanism		Motorized	
Zoom Time (NFOV to WFOV)		≤7 sec. at -32°C; ≤5 sec. at T ≥ 0°C	
Through-zoom boresight		Within a radius of 0.22 mm at the focal plane along the full zoom range	

* For configurations 680425-003/4 & 680426-003/4



MWIR | ZOOM

Property	Value
Mechanical	
Weight	~8kg
Max. Dimensions	Ø286 x 343.6mm
Electrical	
Lens Control	Designated lens controller
Drive Voltage	6-12VDC
Current Consumption	< 0.5A average, 1.0A peak
Communication Protocol	RS422
Environmental	
Operation Temperature	-32°C to +75°C
Storage Temperature	-54°C to +85°C
Sealing	IP 67 front element only
Configurations	
680425-001	45-900mm f/4 CSH=19.4mm 640x512x15µ High Durability
680425-002	45-900mm f/4 CSH=19.4mm 640x512x15µ Low Reflection Hard Carbon
680425-003	72-900mm f/4 CSH=19.4mm 1280x1024x10µ High Durability
680425-004	72-900mm f/4 CSH=19.4mm 1280x1024x10µ Low Reflection Hard Carbon
680426-001	45-900mm f/4 CSH=20.5mm 640x512x15µ High Durability
680426-002	45-900mm f/4 CSH=20.5mm 640x512x15µ Low Reflection Hard Carbon
680426-003	72-900mm f/4 CSH=20.5mm 1280x1024x10µ High Durability
680426-004	72-900mm f/4 CSH=20.5mm 1280x1024x10µ Low Reflection Hard Carbon