

LightIR 15-75mm f/1.2, Motorized Continuous Zoom 680386

NEW



**HD
FORMAT**

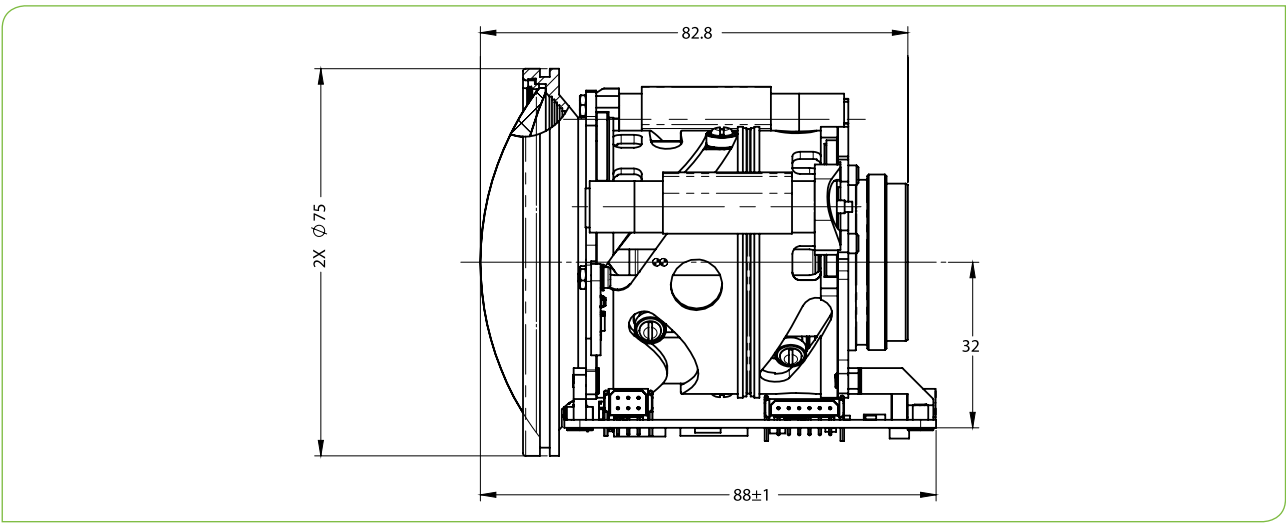
WFOV(15mm)

HFOV	320x256	480x384	640x512	1280x1024
25μ	31.2°	48.4°		
20μ	24.8°	38.0°	52.0°	
17μ	20.9°	31.9°	43.4°	
12μ	14.7°	22.2°	29.9°	
10μ			24.8°	52.0°

NFOV(75mm)

HFOV	320x256	480x384	640x512	1280x1024
25μ	6.0°	9.0°		
20μ	4.9°	7.2°	9.6°	
17μ	4.1°	6.2°	8.2°	
12μ	2.9°	4.4°	5.8°	
10μ			4.9°	9.6°

Property	Value	
Optical	WFOV	NFOV
Focal Length	15mm	75mm
F/#	1.2	
Average Transmission (8-12μm)	85.5% (HD); 79.4% (HC)	
Back Focal Length	20.76mm in air	24.28mm in air
Distortion	<6%	<0.5%
Minimum Focus Range	7m	18m
Nuc (by defocus)	Yes	
Mechanical		
Focus Mechanism	Motorized	
Focus Time (minimum range to ∞)	≤1 sec.	
Zoom Mechanism	Motorized	
Zoom Time (NFOV to WFOV)	≤5.5 sec.	
Weight	320gr	
Max. Dimensions	Ø76mm x 88mm	



LWIR | ZOOM

Property	Value
Electrical	
Lens Control	Designated lens controller
Drive Voltage	6-12VDC
Current Consumption	<0.15A average, 0.3A peak
Communication Protocol	RS485, RS422, RS232
Environmental	
Operating Temperature	-32°C to + 70°C
Storage Temperature	-40°C to + 80 °C
Sealing	IP 67 front element only
Configurations	
680386-001	High Durability, Back Working Distance (BWD) 6 mm
680386-002	Hard Carbon, Back Working Distance (BWD) 6 mm
680386-003	High Durability, Back Working Distance (BWD) 9.7 mm
680386-004	Hard Carbon, Back Working Distance (BWD) 9.7 mm

*Adapters for different cameras are available upon request