

SupIR 30-600mm f/4.0, Motorized Continuous Zoom 680384 / 680385



**HD
FORMAT**

WFOV(30mm)

HFOV	320x256	480x384	640x512
30μ	17.2°	23.6°	
20μ	11.9°	17.2°	21.7°
15μ	9.0°	13.3°	17.2°
10μ			11.9°

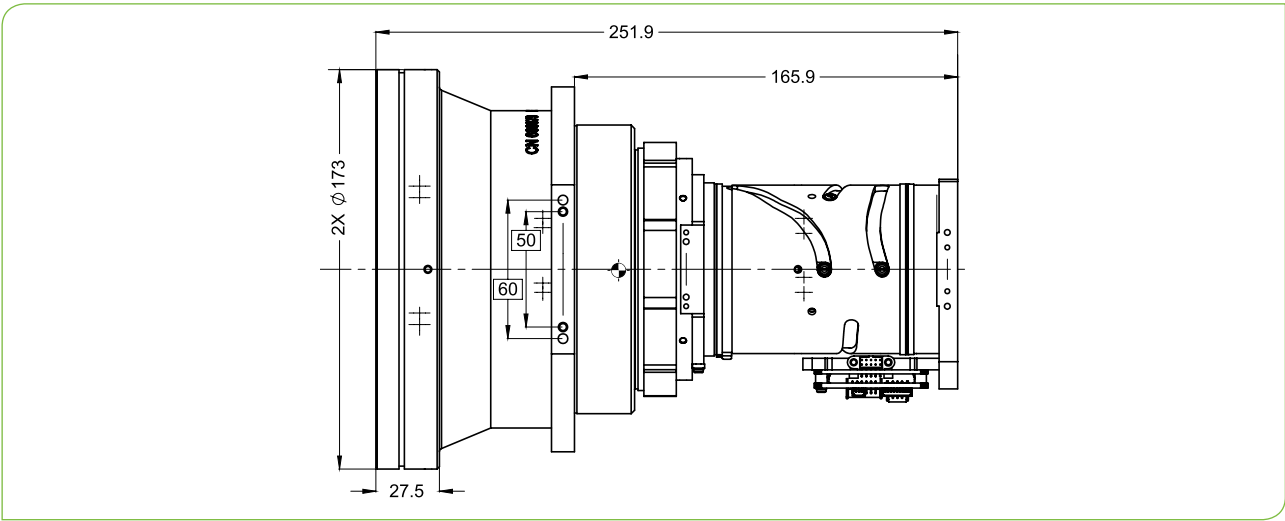
WFOV(60mm)

HFOV	1280X1024
10μ	11.4°

NFOV(600mm)

HFOV	320x256	480x384	640x512	1280X1024
30μ	0.9°	1.3°		
20μ	0.6°	0.9°	1.2°	
15μ	0.5°	0.7°	0.9°	
10μ			0.6°	1.2°

Property		Value	
Optical		WFOV	NFOV
Focal Length		30mm	600mm
F/#		4.0	
Average transmission (3.4-5μm)		75% (LRHC)/ 80% (HD)	
680384	Based on Zoom Lens:	15-300mm f/4 680084	
	Cold stop to FPA Distance	19.4mm	
	Cold Stop CA	Ø4.85mm	
	BFL	25.1mm in air	
680385	Based on Zoom Lens:	15-300mm f/4 680204	
	Cold stop to FPA Distance	20.47mm	
	Cold Stop CA	Ø5.1	
	BFL	27.12mm in air	
Distortion (in diagonal)		<7%	<5%
Minimum Focus Range		5m	200m
Nuc (by defocus)		By defocus (blur to 3mm diameter)	
Mechanical			
Focus Mechanism		Motorized	
Focus Time (minimum range to ∞)		≤1 sec.	
Zoom Mechanism		Motorized	
Zoom Time (NFOV to WFOV)		≤7 sec. at -32°C; ≤5 sec. at T ≥ 0°C	
Through-zoom boresight		Within a radius of 0.22 mm at the focal plane along the full zoom range	



MWIR | ZOOM

Property	Value
Mechanical	
Weight	3.1kg
Max. Dimensions	Ø173mm x 251.9mm
Electrical	
Lens Control	Designated lens controller
Drive Voltage	6-12VDC
Current Consumption	< 0.5A average, 1.0A peak
Communication Protocol	RS422
Environmental	
Operation Temperature	-32°C to +75°C
Storage Temperature	-54°C to +85°C
Sealing	IP 67 front element only
Configurations	
680384-001	High Durability, CSH=19.4, FPA 640x512 pixels, 15µ pitch
680384-002	Low Reflection Hard Carbon, CSH=19.4, FPA 640x512, 15µ pitch
680384-003	High Durability, CSH=19.4, FPA 1280x1024 pixels, 10µ pitch
680384-004	Low Reflection Hard Carbon, CSH=19.4, FPA 1280x1024, 10µ pitch
680385-001	High Durability, CSH=20.5, FPA 640x512 pixels, 15µ pitch
680385-002	Low Reflection Hard Carbon, CSH=20.5, FPA 640x512, 15µ pitch
680385-003	High Durability, CSH=20.5, FPA 1280x1024 pixels, 10µ pitch
680385-004	Low Reflection Hard Carbon, CSH=20.5, FPA 1280x1024, 10µ pitch