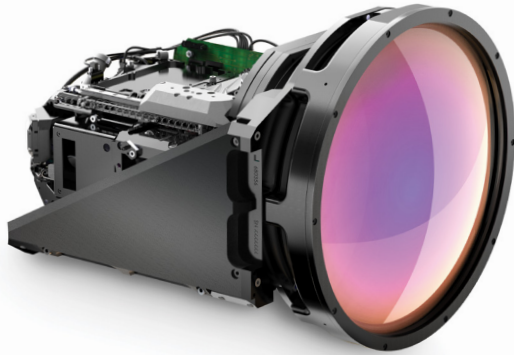


SupIR 50-1350mm f/5.5, Motorized Continuous Zoom 680356*

NEW



**HD
FORMAT**

WFOV(50mm)

HFOV	320x256	640X512	1280X1024
20μ	7.3°	14.4°	
15μ	5.4°	10.8°	20.5°
10μ		7.3°	14.4°

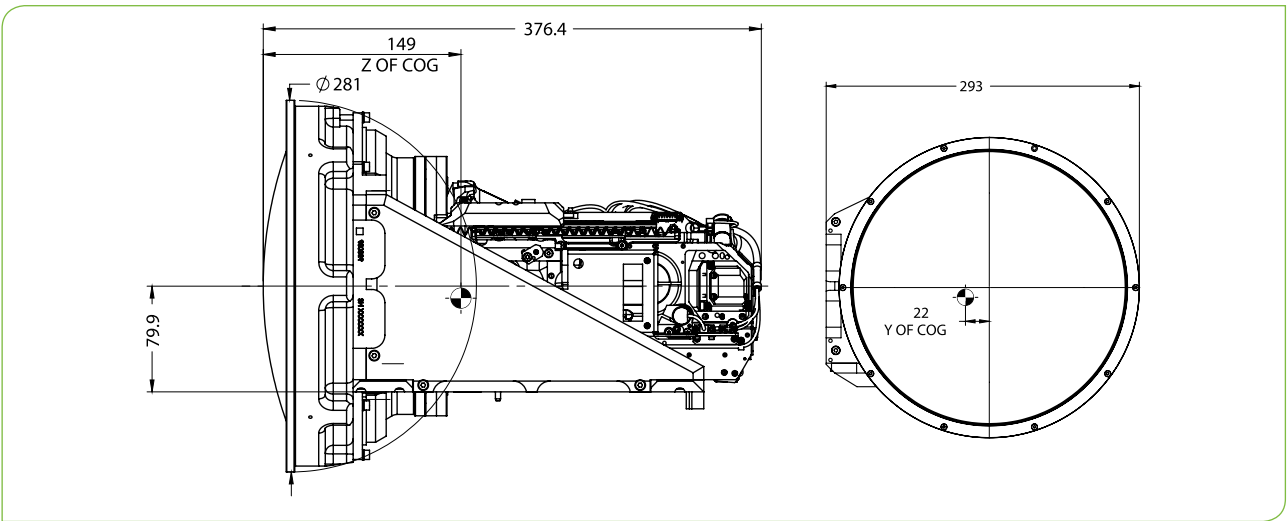
NFOV(1350mm)

HFOV	320x256	640X512	1280X1024
20μ	0.3°	0.5°	
15μ	0.2°	0.4°	0.8°
10μ		0.3°	0.5°

Property

Value

Optical	WFOV	NFOV
Focal Length	50mm	1350mm
F/#	5.5	
Average transmission (3.4-5.0μm)	70% (LRHC)	
Based on Zoom Lens:	28-900mm f/5.5 680072	
Cold stop to FPA Distance	28mm	
Cold Stop CA	Ø5.09mm	
Back Focal Length	37.6mm in air	
Distortion (in diagonal)	<5%	<5%
Minimum Focus Range	5m	200m
Nuc (by defocus)	Yes	
Mechanical		
Focus Mechanism	Motorized	
Focus Time (minimum range to ∞)	≤8 sec.	
Zoom Mechanism	Motorized	
Zoom Time (NFOV to WFOV)	≤8 sec.	



MWIR | ZOOM

Property	Value
Mechanical	
Weight	~13.7kg
Max. Dimensions	Length 376.4mm; Ø281mm; height 293mm
Electrical	
Lens Control	Designated lens controller
Drive Voltage	28VDC
Current Consumption	1.25A average, 2.5A peak
Communication Protocol	RS422
Environmental	
Operation Temperature	-20°C to +65°C
Storage Temperature	-54°C to +71°C
Sealing	IP 67 front element only
Configurations	
680356-001	LRHC

* Requires export license