

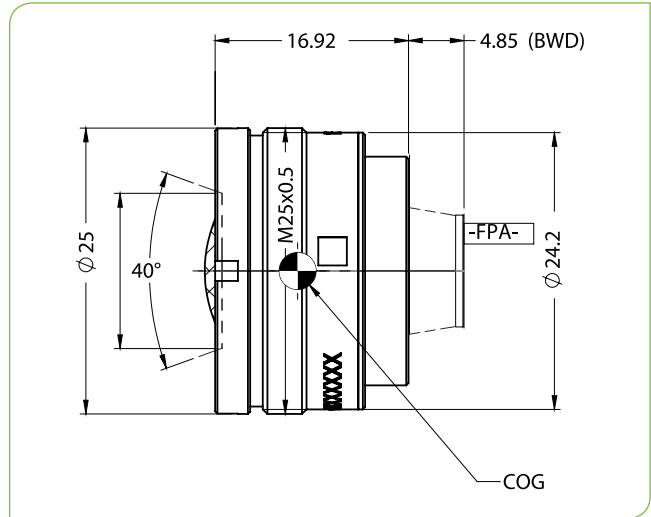
SupIR 13.6mm f/1.0, Fixed Athermalized 680345

TYPICAL ICD

NEW



**HD
FORMAT**



LWIR | 1-FOV

HFOV	160x120	320x240	384x288	640x480	1024x768
25μ	16.8°	33.3°	39.9°		
17μ	11.4°	22.8°	27.2°	45.2°	
12μ	8.1°	19.3°	18.5°	31°	51.1°

Property	Value
Optical	
Focal Length	13.6mm
F/#	1.0
Average Transmission (8-12μm)	≥97% (HD)
Back Focal Length	9.05mm in air
Mechanical	
Focus Mechanism	Fixed
Focus Range	15m to infinity
Depth of Field	7m to infinity
Weight	18gr
Max. Dimensions	Ø25mm x 16.9mm
Environmental	
Operating Temperature	-40°C to +85°C
Storage Temperature	-57°C to +105°C
Sealing	Not Sealed
Configurations	
680345-001	High Durability
680345-002	Hard Carbon