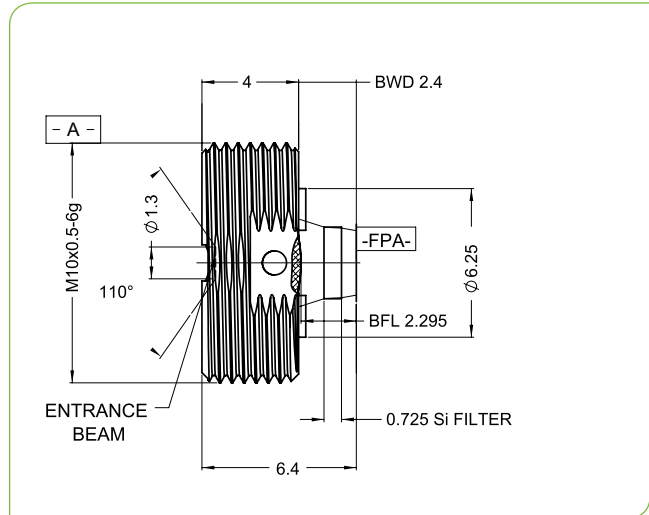


SuplR 1.8mm f/1.35, Fixed Athermalized 680330

TYPICAL ICD



HFOV	160x120
25μ	
17μ	
12μ	60.5°

Property	Value
Optical	
Focal Length	1.8mm
F/#	1.35
Average Transmission (8-12μm)	98% (HD) / 91% (HC)
Back Focal Length	1.78mm in air
Mechanical	
Focus Mechanism	Fixed
Depth of Field	0.2m to infinity
Focus Range	0.1m to infinity
Weight	1gr
Max. Dimensions	Ø4mm x 10mm
Environmental	
Operating Temperature	-40°C to +80°C
Storage Temperature	-54°C to +85°C
Sealing	Not sealed
Configurations	
680330-001	High Durability
680330-002	Hard Carbon