

SupIR 26-105mm f/1.6, Motorized Continuous Zoom 680320



HD
FORMAT

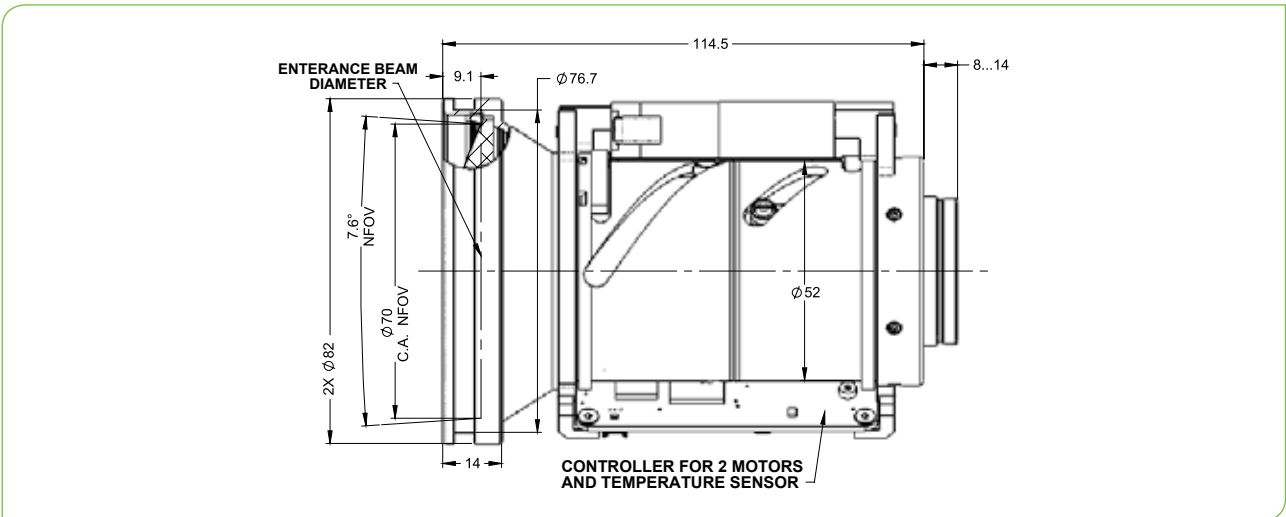
WFOV(26mm)

HFOV	160x120	320x240	384x288	640x480	1024x768
25μ	9.2°	18.5°	22.3°	38.0°	
17μ	6.2°	12.5°	15.0°	25.3°	
12μ	4.4°	8.8°	10.3°	17.7°	28.7°

NFOV(105mm)

HFOV	160x120	320x240	384x288	640x480	1024x768
25μ	2.2°	4.4°	5.2°	8.7°	
17μ	1.5°	3.0°	3.6°	5.9°	
12μ	1.0°	2.1°	2.5°	4.2°	6.7°

Property	Value	
Optical	WFOV	NFOV
Focal Length	26mm	105mm
F/#	1.6	
Average Transmission (8-12μm)	94% (HD)	
Back Focal Length	37.735 mm in air	
Distortion (in diagonal)	<3%	<0.3%
Minimum Focus Range	15m	15m
Nuc (by defocus)	Yes	
Mechanical		
Focus Mechanism	Motorized	
Focus Time (minimum range to ∞)	≤5 sec.	
Zoom Mechanism	Motorized	
Zoom Time (NFOV to WFOV)	≤8 sec.	
Weight	<575gr	
Max. Dimensions	Ø82mm x 122.5mm	



LWIR | ZOOM

Property	Value
Electrical	
Lens Control	Designated lens controller
Supply Voltage	12V
Current Consumption	<0.8A average, 1.5A peak
Communication Protocol	RS422 or RS232
Environmental	
Operation Temperature	-32°C to +70°C
Storage Temperature	-40°C to +80°C
Sealing	IP 67 front element only
Configurations	
680320-001	High Durability
680320-002	Hard Carbon

*Adapters for different cameras are available upon request