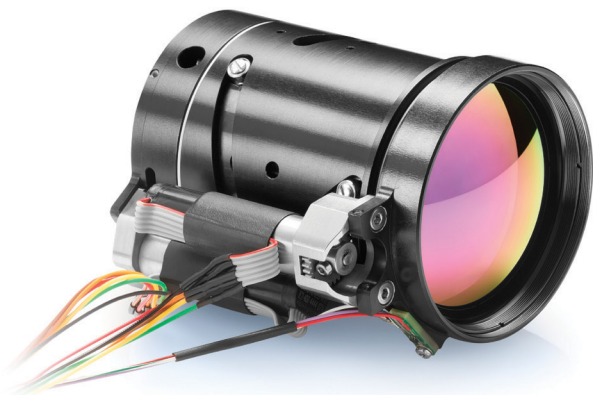


SupIR 15-300mm f/5.5, Motorized Continuous Zoom 680313

MWIR | ZOOM



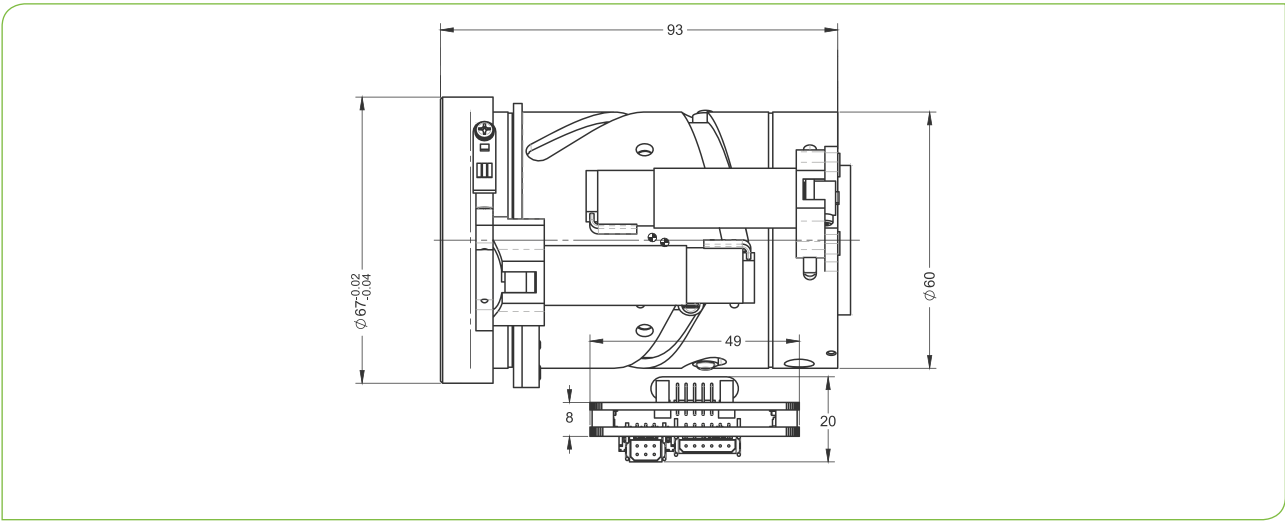
WFOV(15mm)

HFOV	320x256	480x384	640x512
30μ	36.4°	53.7°	
20μ	24.4°	36.4°	48.0°
15μ	18.4°	27.5°	36.4°

NFOV(300mm)

HFOV	320x256	480x384	640x512
30μ	1.8°	2.7°	
20μ	1.2°	1.8°	2.4°
15μ	0.9°	1.4°	1.8°

Property	Value	
	WFOV	NFOV
Optical		
Focal Length	15mm	300mm
F/#	5.5	
Cold Stop to FPA Distance	19.7mm-19.1mm	
Cold Stop CA	Ø3.58mm	
Average Transmission (3.4-5.0μm)	84% (LRHC)/ 87% (HD)	
Back Focal Length	25.33mm in air	
Distortion	<4%	<4%
Minimum Focus Range	5m	50m
Nuc (by defocus)	Yes	
Mechanical		
Focus Mechanism	Motorized	
Focus Time (minimum range to ∞)	≤1 sec.	
Zoom Mechanism	Motorized	
Zoom Time (NFOV to WFOV)	≤5 sec.	
Weight	500gr	
Max. Dimensions	Ø67mm x 93mm	



MWIR | ZOOM

Property	Value
Electrical	
Lens Control	Designated lens controller
Drive Voltage	6-12VDC
Current Consumption	< 0.5A average, 1.0A peak
Communication Protocol	RS422
Environmental	
Operating Temperature	-32°C to +80°C
Storage Temperature	-54°C to +85°C
Sealing	IP 67 front element only
Configurations	
680313-001	High Durability FPA 640x512 pixels 20µ pitch
680313-002	Low Reflection Hard Carbon FPA 640x512 pixels 20µ pitch
680313-003	High Durability FPA 640x512 pixels 15µ pitch
680313-004	Low Reflection Hard Carbon FPA 640x512 pixels 15µ pitch