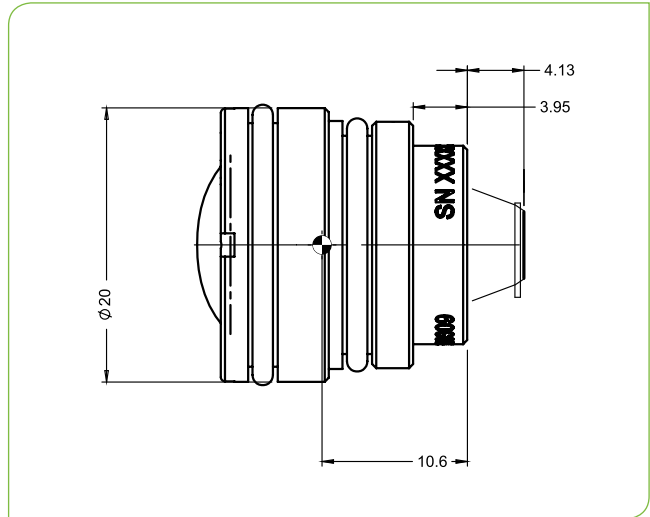


# SupIR 2.4mm f/1.0, Fixed Athermalized 680309

TYPICAL ICD



	160x120	320x240
<b>HFOV</b>		
25μ	96.1°	
17μ	64.8°	
12μ	45.8°	91.9°
10μ		76.2°

Property	Value
<b>Optical</b>	
Focal Length	2.4mm
F/#	1.0
Average Transmission (8-12um)	98% (HD) / 88% (HC)
Back Focal Length	5.23mm in air
<b>Mechanical</b>	
Focus Mechanism	Fixed
Depth of Field	0.5m to infinity
Focus Range	0.1m to infinity
Weight	13.2gr
Max. Dimensions	Ø20mm x 19.74mm
<b>Environmental</b>	
Operating Temperature	-40°C to +80°C
Storage Temperature	-54°C to +85°C
Sealing	IP 67 front element only
<b>Configurations</b>	
680309-001	High Durability
680309-002	Hard Carbon