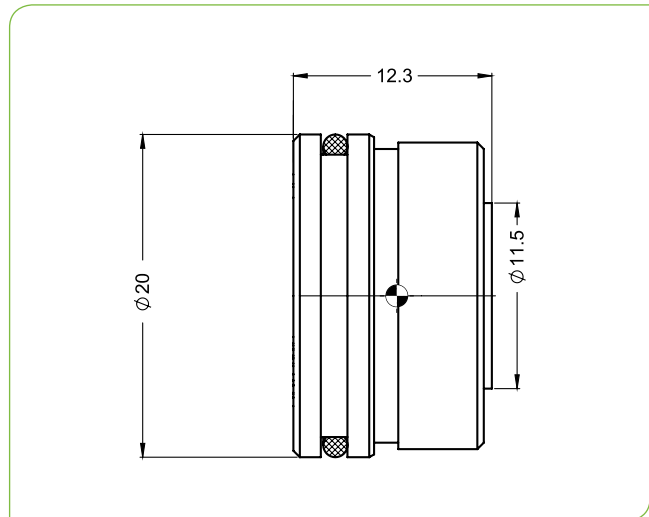


SupIR 4.5mm f/1.1, Fixed Athermalized 680284

TYPICAL ICD



HFOV	160x120	320x240
25μ	50.7°	
17μ	34.1°	
12μ	24.0°	48.5°
10μ		40.3°

Property	Value
Optical	
Focal Length	4.5mm
F/#	1.1
Average Transmission (8-12um)	92% (HC)
Back Focal Length	6.3mm in air
Mechanical	
Focus Mechanism	Fixed
Depth of Field	1m to infinity
Focus Range	0.1m to infinity
Weight	8gr
Max. Dimensions	Ø 20.0mm x 12.3mm
Environmental	
Operating Temperature	-40°C to +80°C
Storage Temperature	-54°C to +85°C
Sealing	IP 67 front element only
Configurations	
680284-001	High Durability
680284-002	Hard Carbon