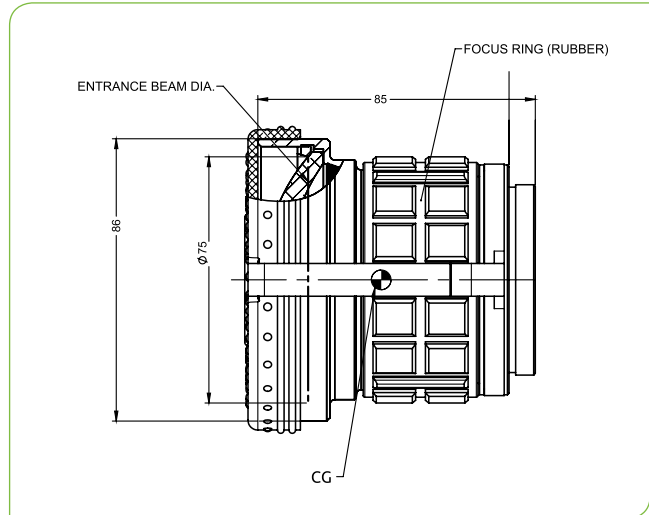


SupIR 75mm f/1.0, Manual Focus 680274

TYPICAL ICD



**HD
FORMAT**



LWIR | 1-FOV

HFOV	160x120	320x240	384x288	640x480	1024x768
25μ	3.0°	6.1°	7.3°		
17μ	2.1°	4.1°	5.0°	8.3°	
12μ	1.5°	2.9°	3.5°	5.8°	9.3°
10μ	1.2°	2.4°	2.9°	4.9°	7.8°

Property	Value
Optical	
Focal Length	75mm
F/#	1.0
Average Transmission (8-12μm)	96% (HD)
Back Focal Length	22.7±0.5mm in air
Mechanical	
Focus Mechanism	Manual
Depth of Field	93m to infinity
Focus Range	5m to infinity
Weight	580gr
Max. Dimensions	Ø 86mm x 89mm
Environmental	
Operating Temperature	-40°C to +60°C
Storage Temperature	-40°C to +60°C
Sealing	IP67 front element only; IP54 handwheel & interface
Configurations	
680274-001	High Durability
680274-002	Hard Carbon