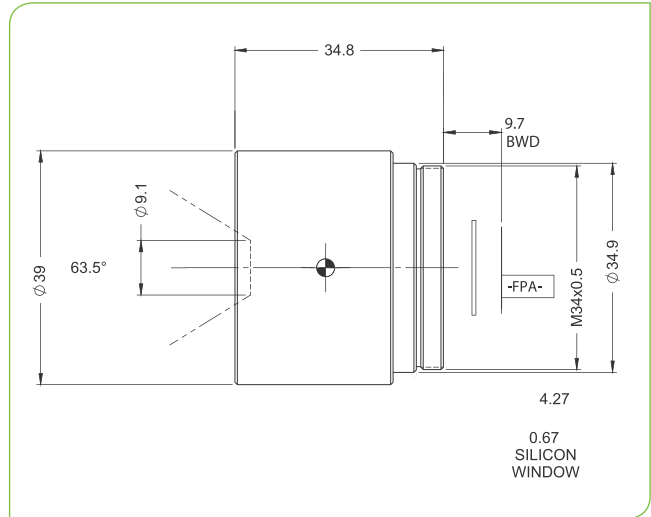


SupIR 12.8mm f/1.4, Fixed Athermalized 680256

TYPICAL ICD



**HD
FORMAT**



LWIR | 1-FOV

HFOV	160x120	320x240	384x288	640x480	1024x768
25μ	18.0°	36.4°	43.9°	76.0°	
17μ	12.2°	24.6°	29.5°	50.0°	
12μ	8.6°	17.3°	20.8°	34.9°	56.8°

Property	Value
Optical	
Focal Length	12.8mm
F/#	1.4
Average Transmission (8-12μm)	97% (HD)
Back Focal Length	12mm in air
Mechanical	
Focus Mechanism	Fixed
Depth of Field	5m to infinity
Focus Range	0.5m to infinity
Weight	79gr
Max. Dimensions	Ø39 mm x 34.8 mm
Environmental	
Operating Temperature	-40°C to +80°C
Storage Temperature	-50°C to +85°C
Sealing	IP 68 front element only
Configurations	
680256-001	High Durability
680256-002	Hard Carbon