

SupIR 19-200mm f/4.0, Motorized Continuous Zoom 680209*



**HD
FORMAT**

WFOV(19mm)

HFOV	320x256	480x384	640x512
30μ	29.7°		
20μ	19.6°	29.7°	
15μ	14.6°	22.0°	29.7°
10μ	19.6°		

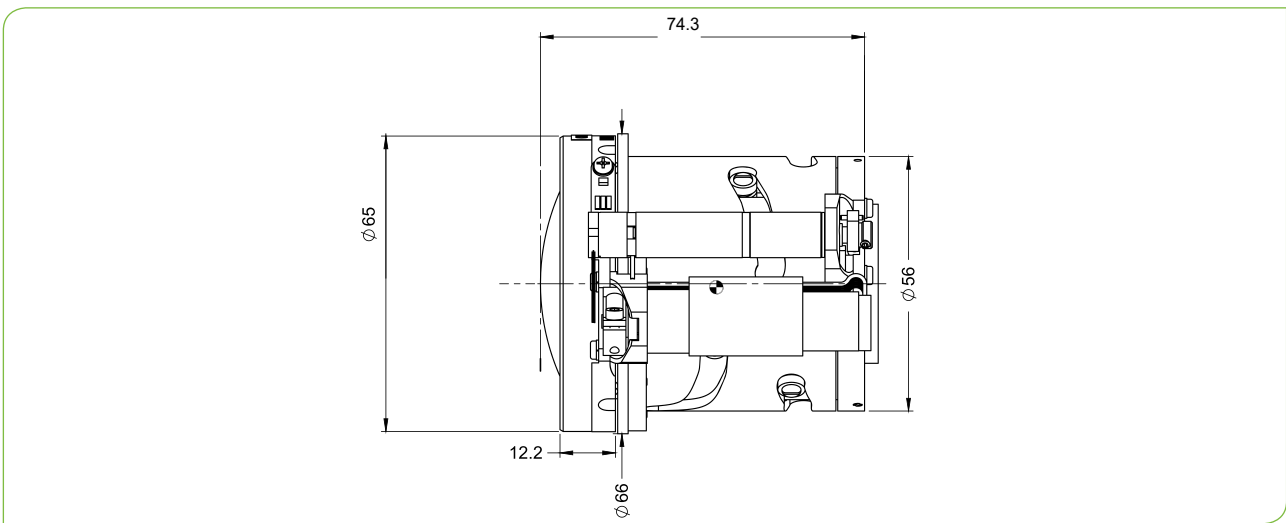
WFOV(40mm)

HFOV	1280X1024
10μ	19.7°

NFOV(200mm)

HFOV	320x256	480x384	640x512	1280X1024
30μ	2.8°			
20μ	1.9°	2.8°	3.8°	
15μ	1.4°	2.1°	2.8°	
10μ	1.9°			3.8°

Property	Value	
Optical	WFOV	NFOV
Focal Length	19mm	200mm
F/#	4.0	
Cold Stop to FPA Distance	19.4mm	
Cold Stop CA	Ø4.85mm	
Average Transmission (3.4-5.0μm)	84% (LRHC) / 87% (HD)	
Back Focal Length	25.1mm in air	
Distortion	<7%	<5%
Minimum Focus Range	5m	50m
Nuc (by defocus)	Yes	
Mechanical		
Focus Mechanism	Motorized	
Focus Time (minimum range to ∞)	≤1 sec.	
Zoom Mechanism	Motorized	
Zoom Time (NFOV to WFOV)	≤7 sec. at -32°C; ≤5 sec. at T ≥ 0°C (at max. speed)	
Weight	400gr	
Max. Dimensions	Ø65mm x 74.3mm	



Property	Value
Electrical	
Lens Control	Designated lens controller
Drive Voltage	6-12VDC
Current Consumption	< 0.5A average, 1.0A peak
Communication Protocol	RS422
Environmental	
Operating Temperature	-32°C to +75°C
Storage Temperature	-54°C to +85°C
Sealing	IP 67 front element only
Configurations	
680209-001	High Durability FPA 640x512 pixels 15µ pitch
680209-002	Low Reflection Hard Carbon FPA 640x512 pixels 15µ pitch

* Requires export license