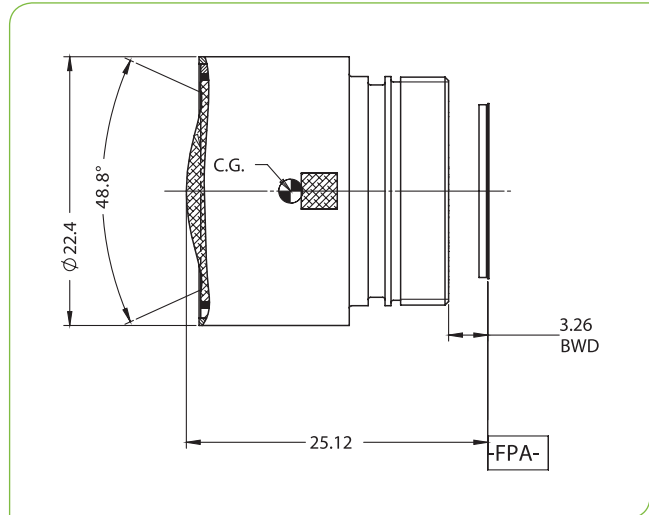


SupIR 16.7mm f/1.25, Fixed Athermalized 680186

TYPICAL ICD



**HD
FORMAT**



HFOV	160x120	320x240	384x288	640x480	1024x768
25μ	13.7°	27.5°	33.0°		
17μ	9.3°	18.7°	22.4°	37.5°	
12μ	6.6°	13.2°	15.8°	26.4°	42.5°

Property	Value
Optical	
Focal Length	16.7mm
F/#	1.25
Average Transmission (8-12μm)	97% (HD)
Back Focal Length	11.41mm in air
Mechanical	
Focus Mechanism	Fixed
Focus Range	1.4m to infinity
Depth of Field	10m to infinity
Weight	11gr
Max. Dimensions	Ø22.4mm x 25.12mm
Environmental	
Operating Temperature	-40°C to +80°C
Storage Temperature	-50°C to +85°C
Sealing	IP 67 front element only
Configurations	
680186-003	High Durability
680186-004	Hard Carbon