

SupIR 15-60mm f/1.4, Motorized Continuous Zoom 680164

LWIR | ZOOM



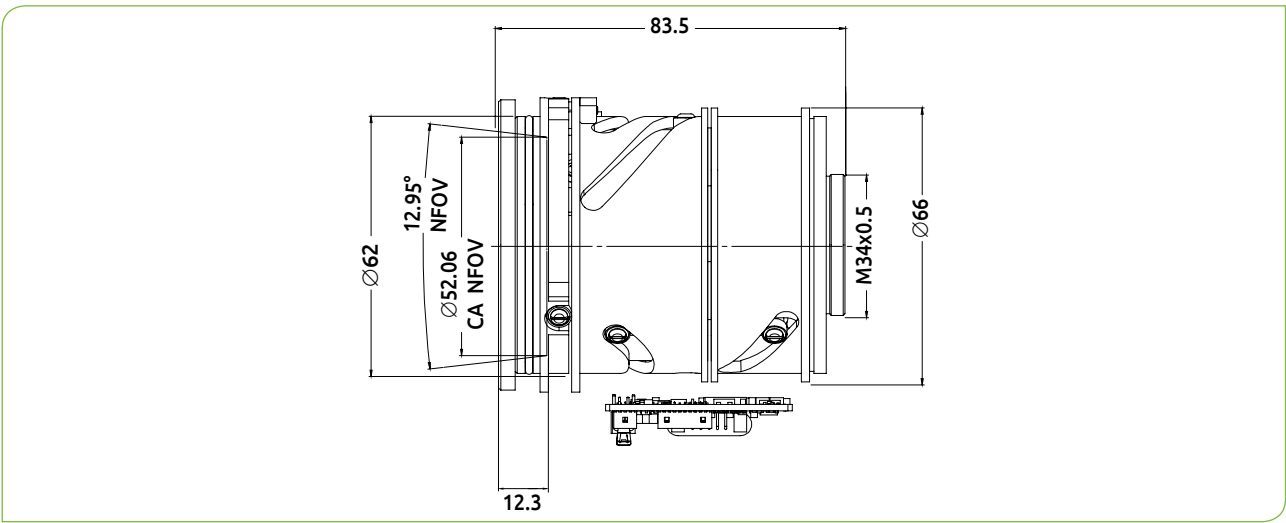
WFOV(15mm)

HFOV	160x120	320x240	384x288	640x480
25μ	15.4°	31.5°	38.4°	
17μ	10.4°	21.1°		44.2°
12μ		14.8°		30.2°

NFOV(60mm)

HFOV	160x120	320x240	384x288	640x480
25μ	3.8°	7.6°	9.2°	
17μ	2.6°	5.2°		10.4°
12μ		3.7°		7.3°

Property	Value	
	WFOV	NFOV
Optical		
Focal Length	15mm	60mm
F/#	1.4	
Average Transmission (8-12μm)	81% (HC)/ 85% (HD)	
Back Focal Length	≥ 25mm in air	
Horizontal FOV	44.2°	10.4°
Distortion (in diagonal)	<19%	<2%
Minimum Focus Range	1m	2m
Nuc (by defocus)	Yes	
Mechanical		
Focus Mechanism	Motorized	
Focus Time (minimum range to ∞)	≤4 sec.	
Zoom Mechanism	Motorized	
Zoom Time (NFOV to WFOV)	≤4 sec.	
Weight	500gr	
Max. Dimensions	Length: 80mm; Height: 89mm; OD: Ø62mm	



LWIR | ZOOM

Property	Value
Electrical	
Lens Control	Designated lens controller
Drive Voltage	6-12VDC
Current Consumption	0.2A average, 0.5A peak
Communication Protocol	RS422
Environmental	
Operation Temperature	-32°C to +80°C
Storage Temperature	-45°C to +85°C
Sealing	IP 67 front element only
Configurations	
680164-001	High Durability
680164-002	Hard Carbon

*Adapters for different cameras are available upon request