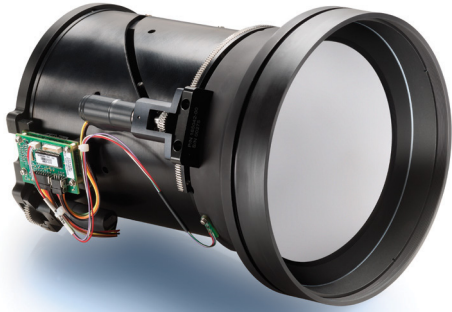


# SupIR 25-225mm f/1.5, Motorized Continuous Zoom 680157

**HD**  
FORMAT



LWIR | ZOOM

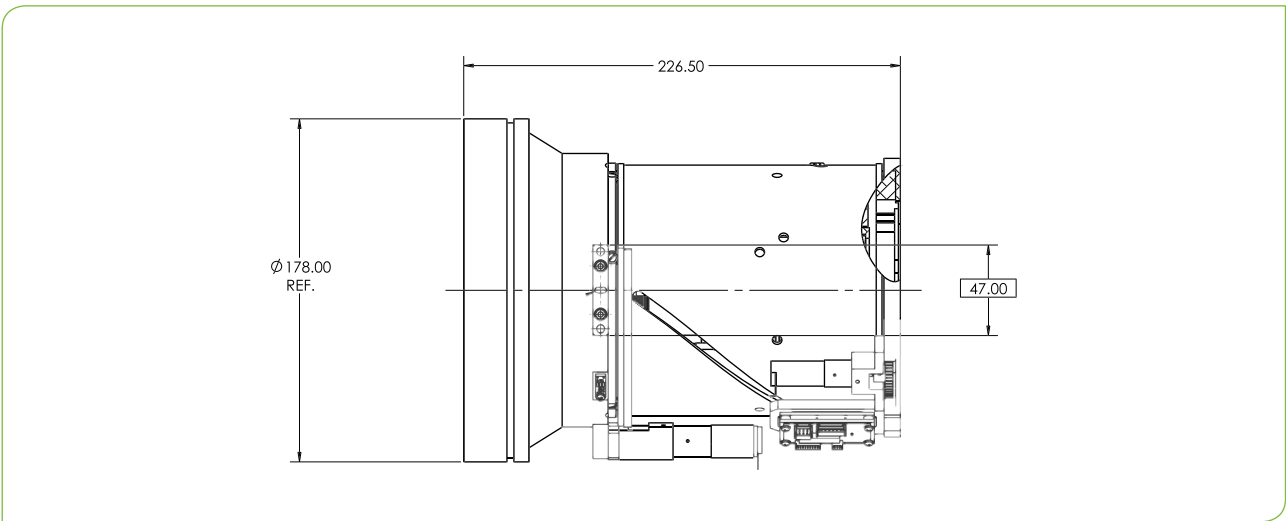
### WFOV(25mm)

HFOV	160x120	320x240	384x288	640x480	1024x768
25μ	9.2°	18.4°	22.2°	37.6°	
17μ	6.2°	12.5°	15°	25.2°	41.1°
12μ	4.4°	8.8°	10.6°	17.7°	28.6°

### NFOV(225mm)

HFOV	160x120	320x240	384x288	640x480	1024x768
25μ	1.0°	2.0°	2.4°	4.1°	
17μ	0.7°	1.4°	1.7°	2.8°	4.4°
12μ	0.5°	1.0°	1.2°	1.9°	3.1°

Property	Value	
<b>Optical</b>	<b>WFOV</b>	<b>NFOV</b>
Focal Length	25mm	225mm
F/#	1.5	
Average Transmission (8-12μm)	75% (HC)/ 81% (HD)	
Back Focal Length	30.743mm in air	
Distortion (in diagonal)	<11%	<5%
Minimum Focus Range	2m	20m
Nuc (by defocus)	Yes	
<b>Mechanical</b>		
Focus Mechanism	Motorized	
Focus Time (minimum range to ∞)	≤3 sec.	
Zoom Mechanism	Motorized	
Zoom Time (NFOV to WFOV)	≤8 sec. (continuous zoom mode) ≤5 sec. (multi-field of view mode)	
Weight	4.3kg	
Max. Dimensions	Ø178x239mm	



LWIR | ZOOM

Property	Value
<b>Electrical</b>	
Lens Control	Designated lens controller
Drive Voltage	12VDC ±0.5V
Current Consumption	0.5A average, 3.5A peak
Communication Protocol	RS422
<b>Environmental</b>	
Operation Temperature	-46°C to + 70°C
Storage Temperature	-54°C to + 85°C
Sealing	IP 67 front element only
<b>Configurations</b>	
680157-001	Hard Carbon
680157-002	High Durability
680157-004	High Durability, Gen 3 controller
680157-005	Hard Carbon, Gen 3 controller