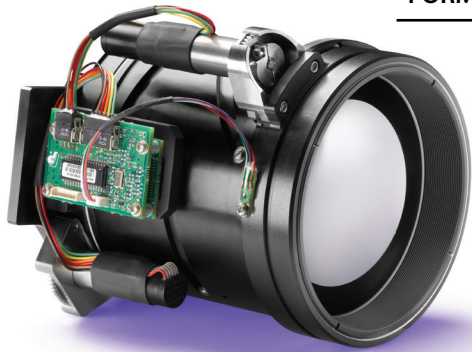


# SupIR 15-100mm f/1.4, Motorized Continuous Zoom 680090

**HD**  
FORMAT



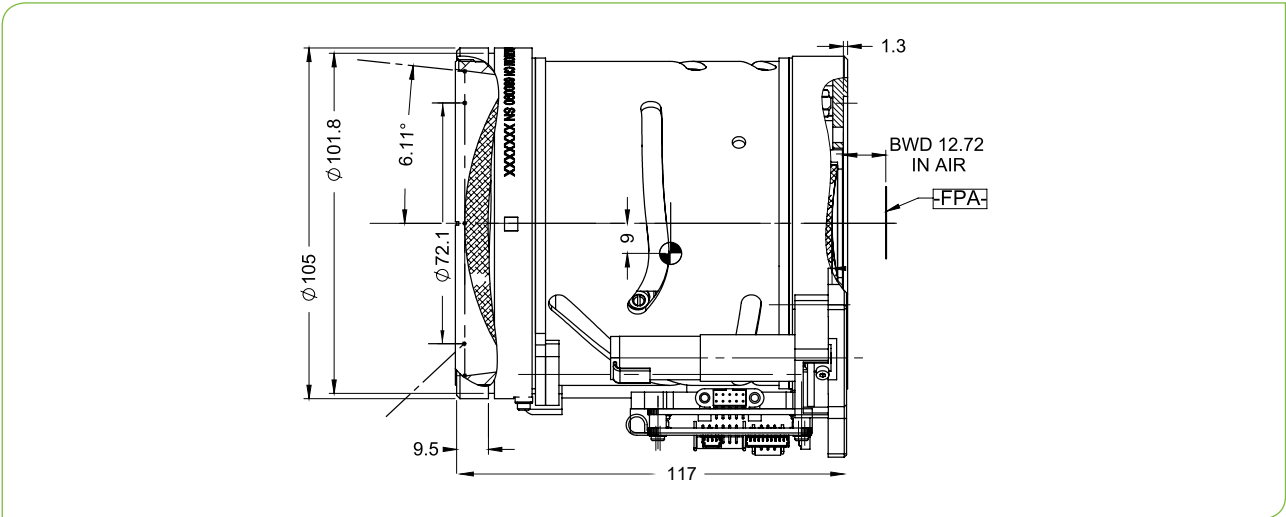
## WFOV(15mm)

HFOV	160x120	320x240	384x288	640x480	1024x768
25μ	15.3°	30.8°	37.1°	62.7°	
17μ	10.4°	20.9°	25.1°	42.2°	68.4°
12μ	7.8°	15.6°	18.8°	31.5°	50.9°

## NFOV(100mm)

HFOV	160x120	320x240	384x288	640x480	1024x768
25μ	2.3°	4.6°	5.5°	9.1°	
17μ	1.6°	3.1°	3.7°	6.2°	9.9°
12μ	1.1°	2.2°	2.6°	4.4°	7.0°

Property	Value	
<b>Optical</b>	<b>WFOV</b>	<b>NFOV</b>
Focal Length	15mm	100mm
F/#	1.4	
Average Transmission (8-12μm)	91% (HD)	
Back Focal Length	16.07mm in air	
Distortion (in diagonal)	<10%	<5%
Minimum Focus Range	1m	10m
Nuc (by defocus)	Yes	
<b>Mechanical</b>		
Focus Mechanism	Motorized	
Focus Time	≤8 sec.	
Zoom Mechanism	Motorized	
Zoom Time	≤5 sec. at T > -10°C ≤8 sec. at T ≤ -10°C	
Weight	1.4kg	
Max. Dimensions	Ø105mm x 133mm	



LWIR | ZOOM

Property	Value
<b>Electrical</b>	
Lens Control	Designated lens controller
Supply Voltage	12V
Current Consumption	0.2A average, 0.5A peak
Communication Protocol	RS422
<b>Environmental</b>	
Operation Temperature	-40°C to +80°C
Storage Temperature	-54°C to +85°C
Sealing	IP 67 front element only
<b>Configurations</b>	
680090-001	High Durability
680090-003	Hard Carbon
680090-004	Low Reflection Hard Carbon*
680090-007	High Durability Gen3
680090-008	Hard Carbon Gen3
680090-009	Low Reflection Hard Carbon, Gen 3*

\* For detailed LRHC coating specifications see page 13