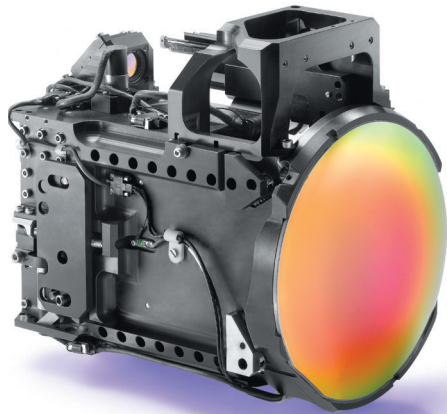


SupIR 28-850mm f/5.5, Motorized Continuous Zoom 680072*



**HD
FORMAT**

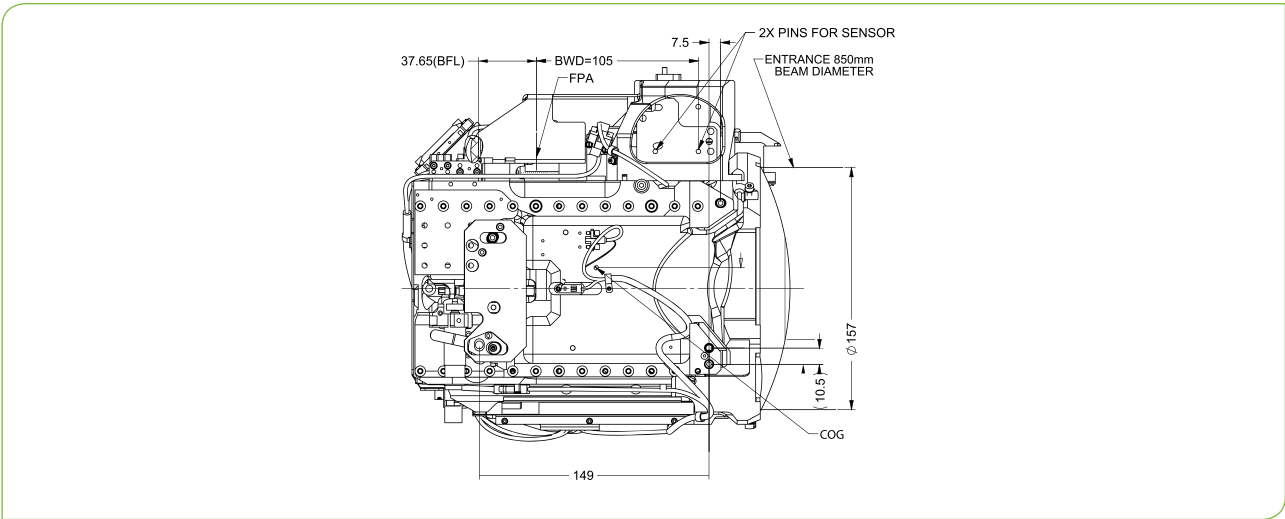
WFOV(28mm)

HFOV	320x240	480x384	640x512	1280x1024
30μ	19.8°	29.7°	39.8°	
20μ	13.2°	19.8°	26.4°	
15μ	9.9°	14.8°	19.8°	39.8°

NFOV(850mm)

HFOV	320x240	480x384	640x512	1280x1024
30μ	0.6°	1.0°	1.3°	
20μ	0.4°	0.6°	0.9°	
15μ	0.3°	0.5°	0.6°	1.3°

Property	Value	
Optical	WFOV	NFOV
Focal Length	28mm	850mm
F/#	5.5	
Average Transmission (3.4-5μm)	76% (HD)	
Cold Stop to FPA Distance	28mm	
Cold Stop Ca	Ø5.09mm	
Back Focal Length	≥37.6mm in air	
Distortion (in diagonal)	<5%	
Minimum Focus Range	3m	50m
Nuc (by defocus)	Yes	
Mechanical		
Focus Mechanism	Motorized	
Focus Time (minimum range to ∞)	≤8 sec.	
Zoom Mechanism	Motorized	
Zoom Time (NFOV to WFOV)	≤8 sec.	
Weight	4.6kg	
Max. Dimensions	Length 256mm; Width 176mm; Height 257.5mm	



MWIR | ZOOM

Property	Value
Electrical	
Lens Control	Designated lens controller
Drive Voltage	28VDC
Current Consumption	1.25A average, 2.5A peak
Communication Protocol	RS422
Environmental	
Operating Temperature	-20°C to + 65°C
Storage Temperature	-54°C to + 71 °C
Sealing	Unsealed
Configurations	
680072-002	High Durability 640x480 15µ pitch, CSH=28mm with TEC
680072-003	High Durability 1280x1024 15µ pitch, CSH=28mm with TEC
680072-006	High Durability 640x480 15µ pitch, CSH=28mm W/O TEC
680072-007	High Durability 1280x1024 15µ pitch, CSH=28mm W/O TEC

* Requires export license