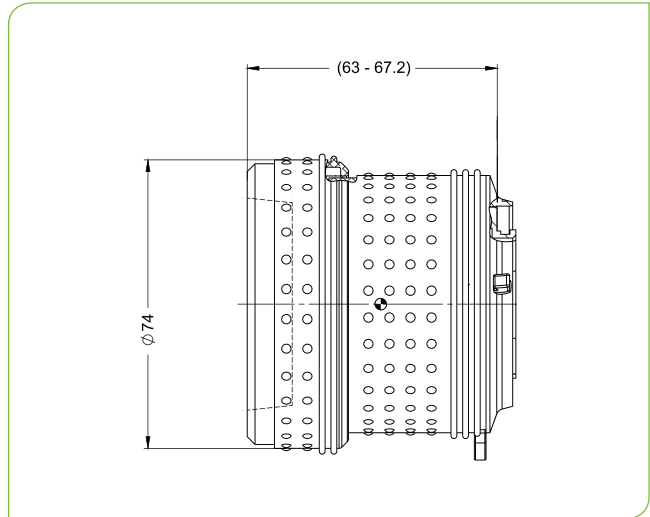


# SupIR 65mm f/1.25, Manual Focus 680061

TYPICAL ICD



**HD  
FORMAT**



LWIR | 1-FOV

HFOV	160x120	320x240	384x288	640x480	1024x768
25μ	3.5°	7.0°	8.4°		
17μ	2.4°	4.8°	5.7°	9.6°	
12μ	1.7°	3.4°	4.1°	6.8°	10.8°

Property	Value
<b>Optical</b>	
Focal Length	65mm
F/#	1.25
Average Transmission (8-12μm)	89% (HC)
Back Focal Length	25.76mm in air
<b>Mechanical</b>	
Focus Mechanism	Manual
Focus Range	2.5m to infinity
Depth of Field	175m to infinity
Weight	490gr
Max. Dimensions	Ø72.75mm x 79.25mm
<b>Environmental</b>	
Operating Temperature	-40°C to +80°C
Storage Temperature	-55°C to +85°C
Sealing	IP 67 front element only
<b>Configurations</b>	
680061-003	Hard Carbon