

SupIR 45/135mm f/1.1, f/1.6, Motorized Focus 680020*

HD
FORMAT



WFOV(45mm)

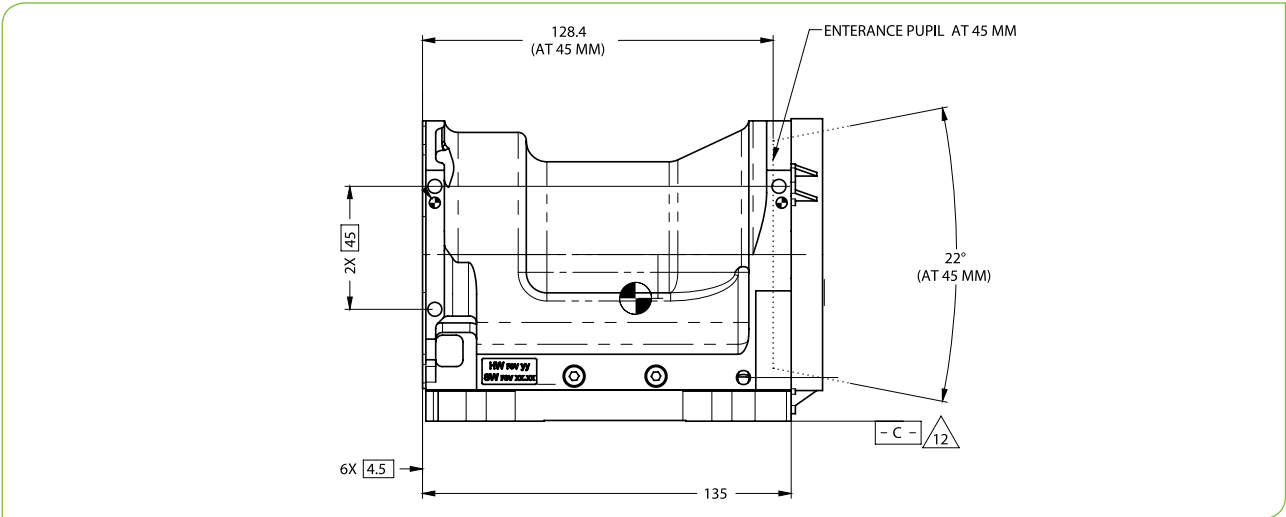
HFOV	160x120	320x240	384x288	640x480	1024x768
25μ	5.1°	10.4°	12.6°		
17μ	3.5°	7.0°	8.4°	14.3°	
12μ	2.4°	4.9°	5.9°	9.9°	16.3°

NFOV(135mm)

HFOV	160x120	320x240	384x288	640x480	1024x768
25μ	1.37°	3.4°	4.1°		
17μ	1.2°	2.3°	2.8°	4.6°	
12μ	0.8°	1.6°	2.0°	3.3°	5.2°

LWIR | Multiple FOV

Property	Value	
Optical	WFOV	NFOV
Focal Length	45mm	135mm
F/#	1.1	1.6
Average Transmission (8-12μm)	85% (HC)	
Back Focal Length	48.35mm in air	
Mechanical		
Focus Mechanism	Motorized adjustable	
Focus Range	10m to infinity	
Focus Time (full travel)	<1 sec.	
Weight	1.4kg	
Max. Dimensions	Length 142mm, Width 98mm, Height 110mm	
FOV Switch Mechanism	Motorized	
FOV Switch Time	<2 sec.	



LWIR | Multiple FOV

Property	Value
Electrical	
Focus & FOV Motor	0.7A average, 1.0A peak at T=-40°C 0.6A average, 1.0A peak at T=20°C
Supply Voltage	12V
Current Consumption	0.7A average, 1.0A peak
Environmental	
Operating Temperature	-40°C to +65°C
Storage Temperature	-40°C to +71°C
Sealing	IP 67 front element only
Configurations	
680020-009	Hard Carbon, mounting plate
680020-010	Hard Carbon, W/O mounting plate
680020-011	Hard Carbon, EARS mounting plate

* Requires export license