



FOR IMMEDIATE RELEASE

For more information contact:

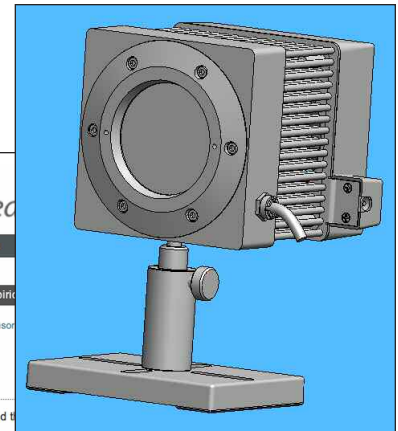
Gary Wagner, President, Ophir-Spiricon, gary.wagner@ophir-spiricon.com

Shari Worthington, PR Counsel, Telesian Technology, sharilee@telesian.com

## Ophir Optronics Introduces Sensor Finder Application for Laser Power/Energy Meters, Adds 3D Drawings

June 14, 2010 – Logan, UT – Ophir-Spiricon, the global leader in precision laser measurement, today introduced **Sensor Finder**, an online application that helps users find the best laser power/energy sensor guaranteed to work with their laser. The company also introduced 3D laser power/energy sensor drawings and an upgraded web site.

Featured on the [www.ophir-spiricon.com](http://www.ophir-spiricon.com) web site, **Sensor Finder** allows users to input laser characteristics and the type of measurement required (power only or energy and power). In return, the program provides a list of Ophir-Spiricon power/energy sensors that are guaranteed to work with their laser under the stated conditions. Sensor Finder calculates and displays the power and energy density of the laser, the damage limit of the sensors under these conditions, and determines which sensors are guar-



The screenshot shows the Ophir-Spiricon website with the Sensor Finder application. The page header includes the company logos and navigation links: Products, Ordering, Support, News & Events, About Us, and Contact Us. The main content area is titled "The True Measure" and features a "Sensor Finder Online" section. The application interface is divided into three steps:

- Step 1: Measurement Type**
  - Laser**:  CW,  Pulsed
  - Beam**:  Circular,  Rectangular
  - Measurement**:  Power Only
- Step 2: Enter Laser Parameters**
  - Diameter (mm): [input field]
  - Wavelength: [input field] nm
  - Power Range - Min to Max: [input field] to [input field] W
  - Optional for Best Search:
    - Exposure Time (min): [input field]
    - Sensor Size (mm): Max Width [input field], Max Height [input field], Max Depth [input field]
- Step 3**
  - Find Sensor button
  - Power Density W/cm2: [input field]
  - Energy Density J/cm2: [input field]

Ophir-Spiricon, LLC  
60 West 1000 North  
Logan, UT 84321  
Tel: 435-753-3729  
Fax: 435-755-5454  
[www.ophir-spiricon.com](http://www.ophir-spiricon.com)

anteed to perform with the laser specs. The program also shows how close one is to the damage threshold so the user can choose a sensor that is well below the damage threshold. A report with a list of recommended sensors can be saved or printed

“Competing sensor finder applications only narrow down the list of possible products and do not let you know if the sensor will actually work with a particular laser,” stated Ephraim Greenfield, CTO, Laser Measurement Group, Ophir-Spiricon. “Sensor Finder goes beyond other online tools and takes into account damage threshold and maximum pulse width limitations. Everything about the new web site is focused on providing the customer with quick access to accurate information, including the new library of 3D sensor drawings and the user-friendly interface.”

The Ophir-Spiricon web site is at: <http://www.ophir-spiricon.com>. **Sensor Finder** is at: <http://www.ophiropt.com/laser-measurement-instruments/laser-power-energy-meters/services/sensor-finder>

### **About Ophir-Spiricon**

Established in 1978, Ophir-Spiricon is part of the Ophir Optronics Laser Measurement Group. The Laser Measurement Group provides a complete line of instrumentation including power and energy meters, beam profilers, spectrum analyzers, and goniometric radiometers. Dedicated to continuous innovation in laser measurement, the company holds a number of patents, including **Ultracal™**, the baseline correction algorithm that helped establish the ISO 11146-3 standard for beam measurement accuracy. The recently acquired Photon family of products includes the low noise **NanoScan** scanning-slit technology which is capable of measuring the waist of a collimated mm diameter laser beam to within a centimeter. The company’s modular, customizable solutions serve manufacturing, medical, military, and research industries throughout the world. For more information, visit <http://www.ophir-spiricon.com>.

###

#### **For more information, contact:**

Gary Wagner, President  
Ophir-Spiricon, LLC  
60 West 1000 North  
Logan, UT 84321  
Tel: 435-753-3729  
E-mail: [gary.wagner@ophir-spiricon.com](mailto:gary.wagner@ophir-spiricon.com)  
Web: [www.ophir-spiricon.com](http://www.ophir-spiricon.com)

#### **PR Office:**

Shari Worthington  
Telesian Technology  
49 Midgley Lane  
Worcester, MA 01604  
Tel: 508-755-5242  
E-mail: [sharilee@telesian.com](mailto:sharilee@telesian.com)

© 2010, Ophir-Spiricon, LLC. Ultracal and BeamGage are trademarks of Ophir-Spiricon, LLC. All other trademarks are the registered property of their respective owners.