

1.1.3.3 High Power Water Cooled and Fan Cooled Laser Beam Dumps

Up to 5KW

Features

- Up to 5KW CW
- Water or Fan cooled
- High Power Density
- $\varnothing 50\text{mm}$ apertures

BD5000W-BB-50



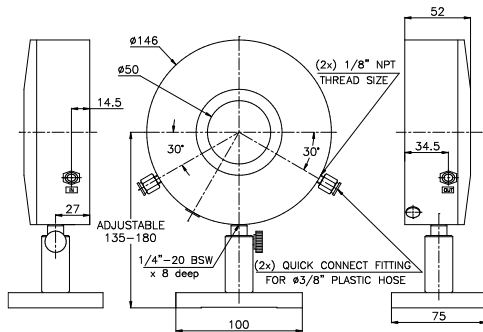
BDFL500A-BB-50



| Model | BD5000W-BB-50 | BDFL500A-BB-50 |
|--|--|---------------------------|
| Use | General purpose High power beam dump | |
| Absorber Type | Broadband | |
| Spectral Range μm | 0.19 - 20 | |
| Typical Absorption | 86% for 600 to 2500nm, 92% for 10.6 μm | |
| Aperture mm | $\varnothing 50\text{mm}$ | $\varnothing 50\text{mm}$ |
| Maximum Incident Power | 5000W | 500W |
| Maximum Average Power Density | 6KW/cm ² at 1000W 3KW/cm ² at 5000W | 7KW/cm ² |
| Maximum Energy Density J/cm ² | | |
| <100ns | 0.3 | |
| 1 μs | 0.4 | |
| 0.5ms | 5 | |
| 2ms | 10 | |
| 10ms | 30 | |
| Cooling | water | Fan |
| Minimum Water Flow Rate at Full Power | 4.5 liter/min (a) | N/A |
| Weight Kg | 2.8 | 2.7 |
| Version | | |
| Part number | 7Z17201 | 7Z17200 |

Note: (a) Water temperature range 18-30°C. Water temperature rate of change <1°C/min

BD5000W-BB-50



BDFL500A-BB-50

